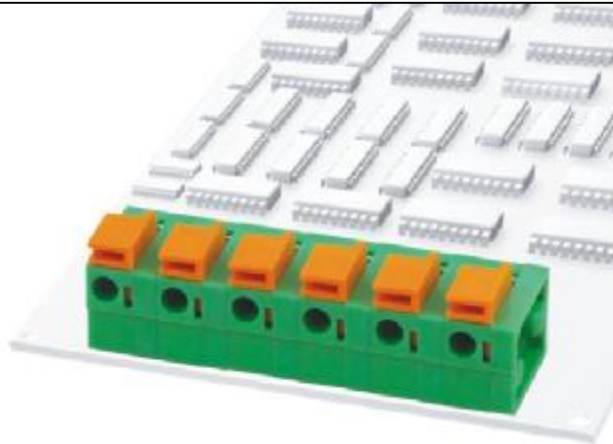


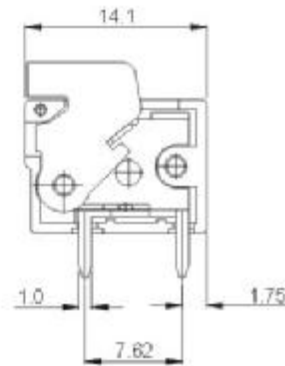
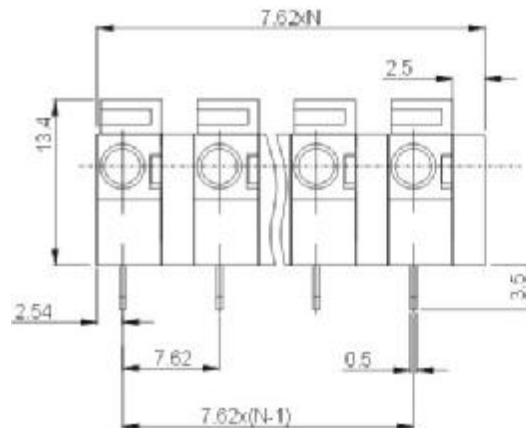
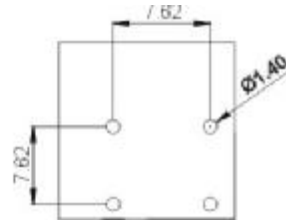
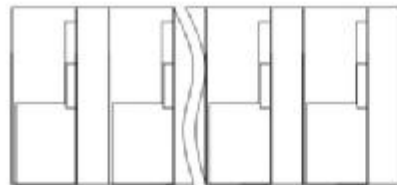


DEGSON ELECTRONICS CO., LTD.

Product Specification

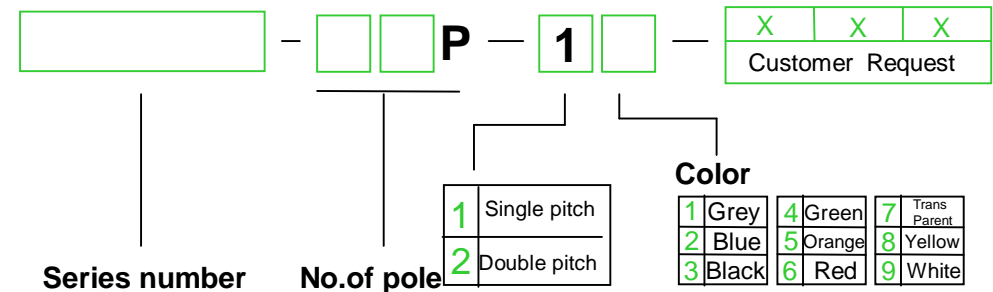


DG142R-7.62



Approval	CE	
Electrical		
Standard	UL	IEC
Rated voltage	300V	450V
Rated current	10A	15A
Wire range	22-14AWG	1.5mm ²
Withstanding voltage	AC2500V/1Min	
Mechanical		
Ambient temperature	-40°C ~ +105 °C	
Strip length	10mm	
Dimensions		
Pitch	7.62mm(.300")	
Poles	1P-XXP	
Material		
Housing	PA66,UL94V-0	
Pin header	Brass,Tin plated	
Wire guard	Stainless steel	

HOW TO ORDER :



	DEGSON ELECTRONICS CO., LTD.
	NAME DG142R-7.62