


**Feature -**


- High Bright LED illumination
- Long life
- Good Actuation Feeling

**Applications -**

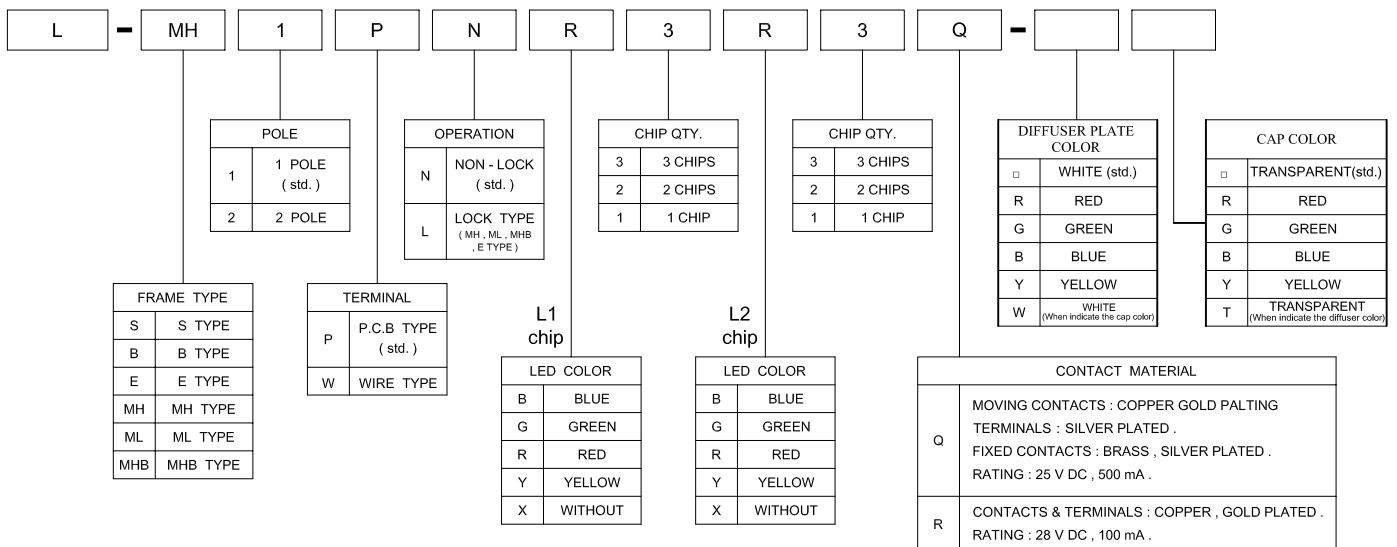
- Communication Equipments ,
- Instrumentation

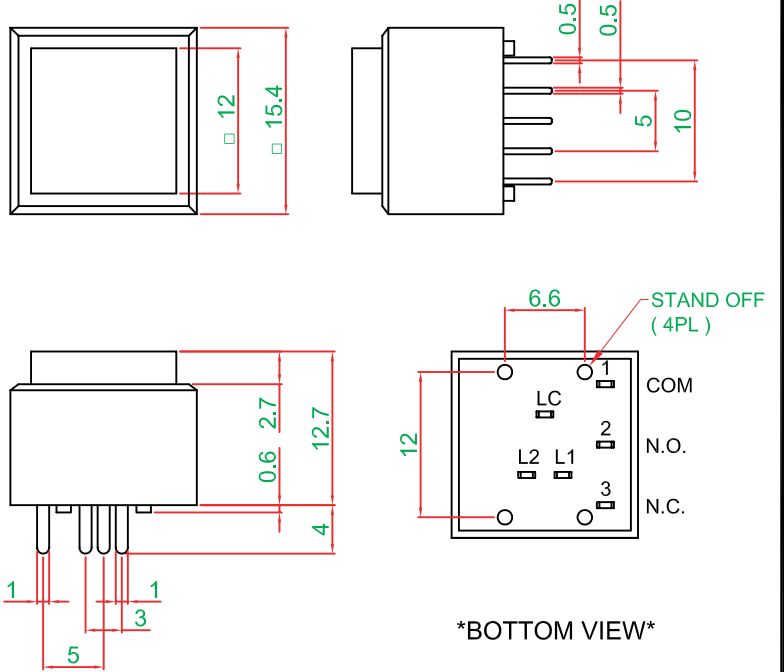
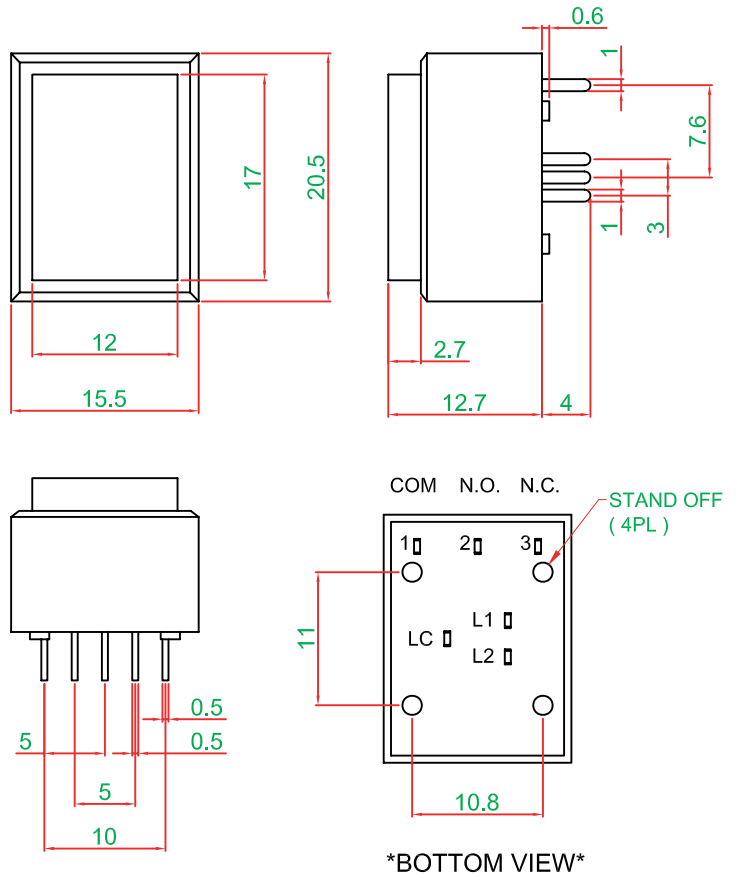
**► SPECIFICATIONS**

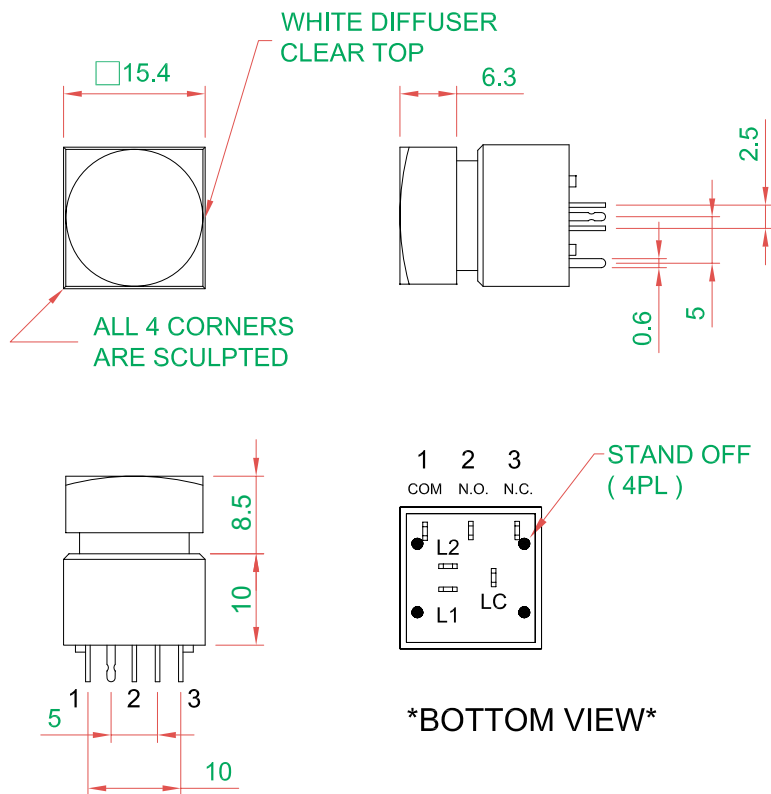
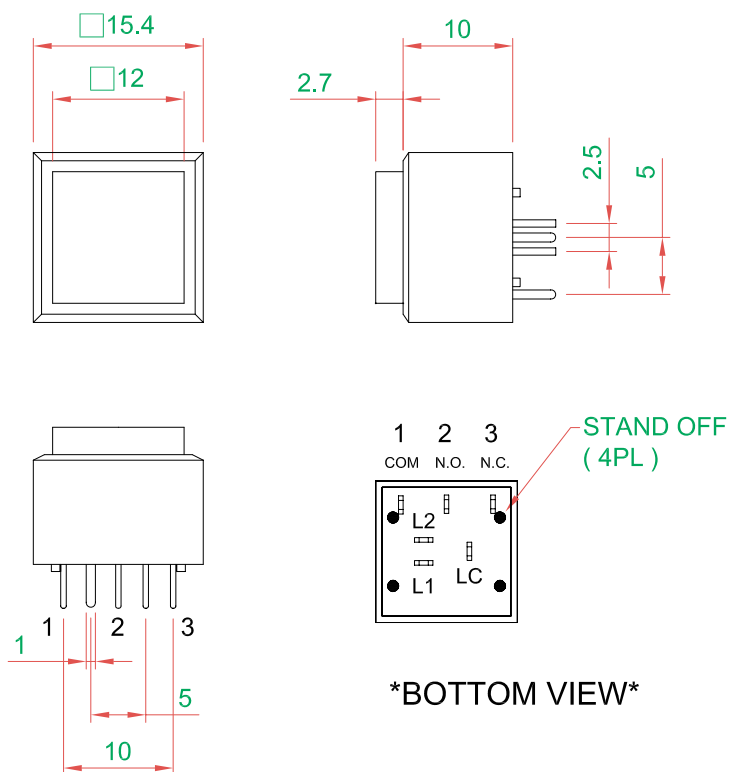
SWITCH SPECIFICATIONS	
POLE - POSITION	ON - < ON > for Momentary Type , ON - ON for Self - Lock Type SPDT , DPDT
CONTACT RATING	SEE CONTACT MATERIAL
CONTACT RESISTANCE	50 mΩ max . ( SILVER CONTACT ) ; 100 mΩ max . ( GOLD PLATING CONTACT ) , 1.5 V DC ; 100 mA , by Method of Voltage DROP
INSULATION RESISTANCE	100 MΩ min . 500 V DC
DIELECTRIC STRENGTH	Breakdown is not Allowable ; 1000 V AC for 1 Minute
OPERATING FORCE	200 ± 100 gf ( SPDT ) 300 ± 150 gf ( DPDT )
ELECTRICAL LIFE	200,000 cycles (SILVER AND GOLD PLATING CONTACT)
MECHANICAL LIFE	1,000,000 cycles
OPERATING TEMPERATURE RANGE	-20°C ~ 70°C
TOTAL TRAVEL	2.2 ± 0.2 mm

LED SPECIFICATIONS				
ATTENTION  LEDs are Electrostatic Sensitive devices	Unit	Value / LED Color		
		Green	Red	
FORWARD CURRENT	If	mA	30	15
REVERSE VOLTAGE	Vr	V	5.0	5.0
REVERSE CURRENT	Ir	μA	10	10
FORWARD VOLTAGE@20mA	Vf	V	1.7-2.6	1.7-2.6
LUMINOUS INTENSITY@20mA	Iv	mcd	6	4

■ Physical and electrical information of LED will be provided upon customer's request on switches .

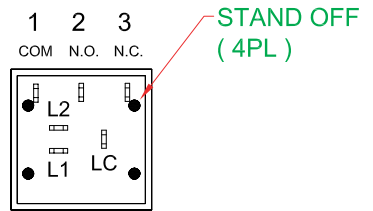
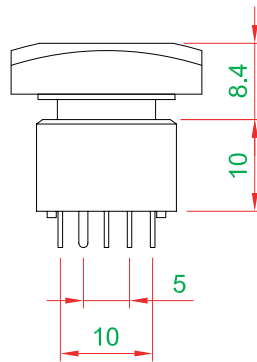
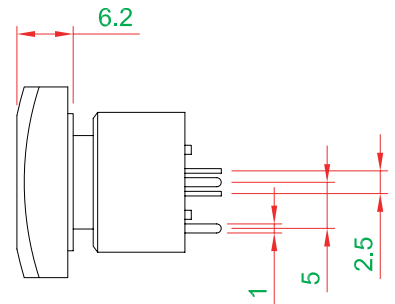
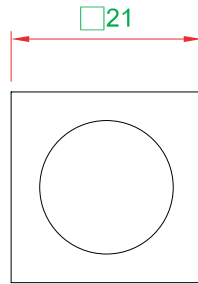
**► HOW TO ORDER**


**► DIMENSION & FRAME TYPE**
**L - S1PN □ □ Q**

**L - B1PN □ □ Q**


**► DIMENSION & FRAME TYPE**
**L - MH1PN □ □ Q**

**L - ML1PN □ □ Q**


## ► DIMENSION & FRAME TYPE

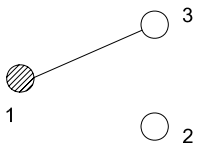
L - MHB1PN □ □ Q



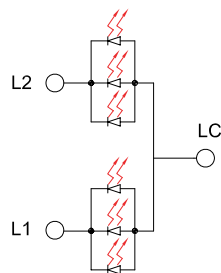
\*BOTTOM VIEW\*

## ► SCHEMATIC

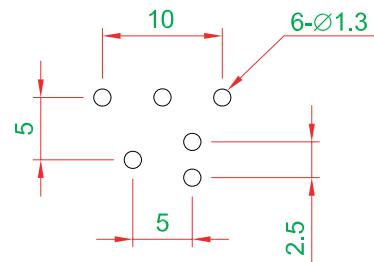
SWITCH



LED



## ► P.C.B LAYOUT



## ► MATERIAL

- COVER - PC
- ACTUATOR - POM
- BASE FRAME - PA + GF
- TERMINAL - Q : BRASS SILVER PLATING ;  
R : BRASS GOLD PLATED

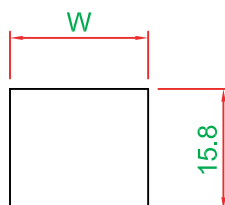
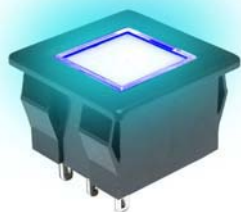
## ► UNIT WEIGHT

- L - S1PN □ □ Q : 2.5 ± 0.05 g / pcs
- L - B1PN □ □ Q : 3.0 ± 0.05 g / pcs
- L - MH1PN □ □ Q : 3.4 ± 0.05 g / pcs
- L - ML1PN □ □ Q : 2.5 ± 0.05 g / pcs
- L - MHB1PN □ □ Q : 4.0 ± 0.05 g / pcs

# ► DIMENSION & FRAME TYPE

L - E1WN□□Q

► PANEL CUT OUT



PANEL THICK	W
1.25 ~ 2.0	17.6~17.8
2.0 ~ 3.0	17.8~18

