

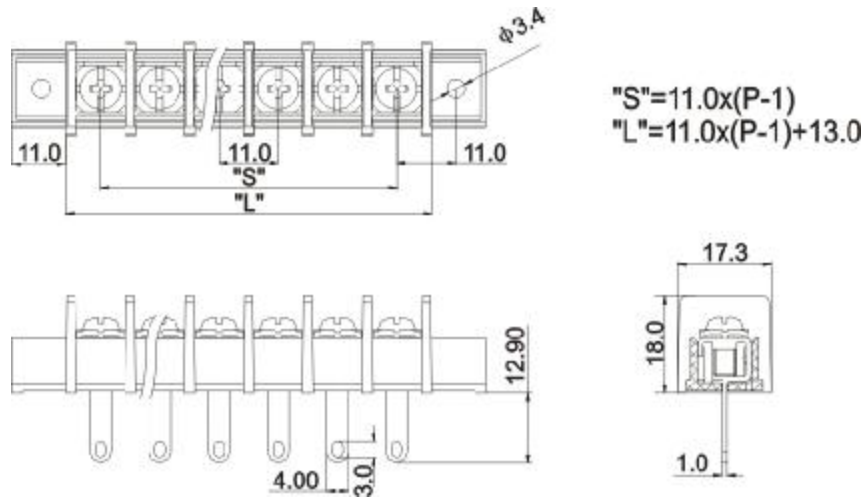


DEGSON ELECTRONICS CO., LTD.

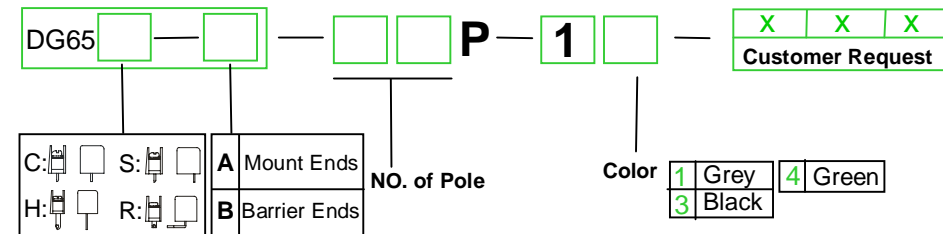
Product Specification



Approval	UL US	CE
Electrical		
Standard	UL	IEC
Rated voltage	300V	750V
Rated current	20A	32A
Wire range	22-12AWG	4.0mm ²
With standing voltage		AC2000V/1Min
Insulation Resistance		500M Ω /DC500V
Mechanical		
Max. Torque Value		1.2N.m 10.6Lb.in
Ambient temperature		-40 $^{\circ}$ C \rightarrow +105 $^{\circ}$ C
Dimensions		
Pitch		11.0mm(.433")
Poles		2P-20P
Material		
Housing		PA66,UL94V-0
Terminal		Brass,1.0t,Tin Plated
Screws		Steel,M4 Ni Plated



HOW TO ORDER :



Poles	2	3	4	5	6	7	8	9	10	11	12	13	14	15
L(mm)	24.00	35.00	46.00	57.00	68.00	79.00	90.00	101.00	112.00	123.00	134.00	145.00	156.00	167.00
S(mm)	11.00	22.00	33.00	44.00	55.00	66.00	77.00	88.00	99.00	110.00	121.00	132.00	143.00	154.00
Poles	16	17	18	19	20	21	22	23	24	25	26	27	28	
L(mm)	178.00	189.00	200.00	211.00	222.00	233.00	244.00	255.00	266.00	277.00	288.00			
S(mm)	165.00	176.00	187.00	198.00	209.00	220.00	231.00	242.00	253.00	264.00	275.00			

	DEGSON ELECTRONICS CO., LTD.
	NAME DG65H-A