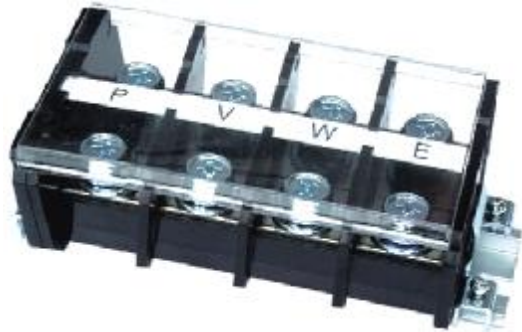


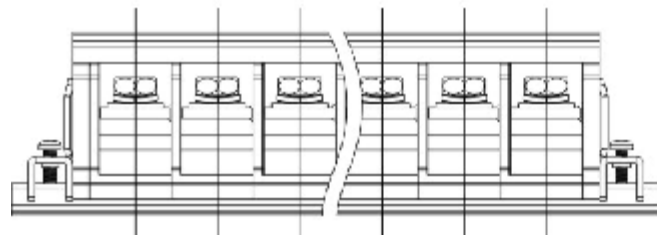
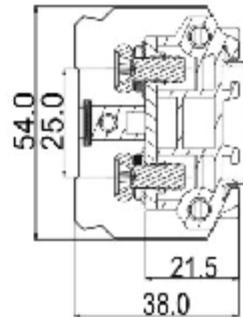
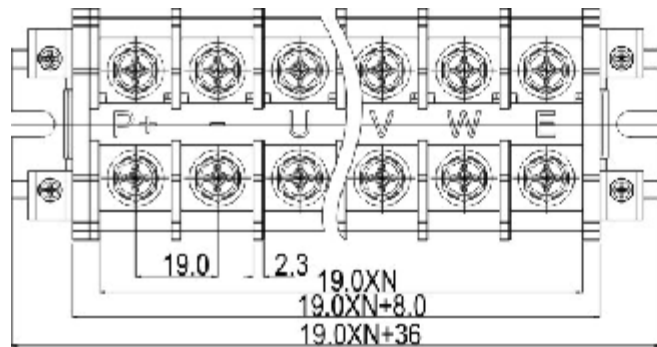


DEGSON ELECTRONICS CO., LTD.

Product Specification

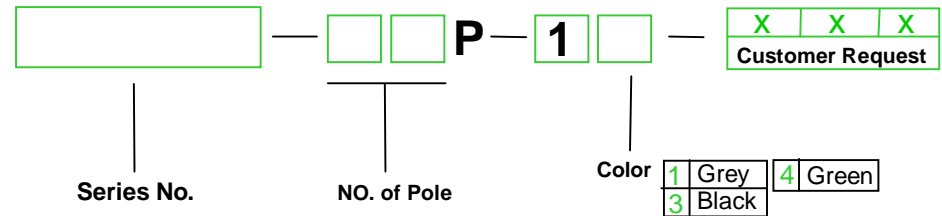


DGR60



Approval	CE	
Electrical	UL	IEC
Standard	600V	600V
Rated voltage	65A	65A
Rated current	20-6AWG	14mm ²
Wire range	AC3500V/1Min	
With standing voltage	5000M Ω /DC1000V	
Insulation Resistance		
Mechanical		
Max. Torque Value	2.1N.m 18Lb.in	
Ambient temperature	-40°C ~ +120°C	
Dimensions		
Pitch	19.0mm (.748")	
Poles	1P-XXP	
Material		
Housing	PC, UL94V-0	
Terminal	Brass, 2.5t Ni plated	
Screws	Steel, M6 Cr ³ Zn Plated	

HOW TO ORDER :



mm (INCH)	DEGSON ELECTRONICS CO., LTD.
THROANGLE PROJECTION	NAME DGR60