

REV.	DESCRIPTION	DRAWN	CHECKED	APPROVED
A	NEW RELEASE	LL 07/05/06'		

NOTES:

1. SPECIFICATIONS

- . Housing material: NYLON 66
- . Wire range: AWG#28~#22
- . Rated voltage: 250V
- . Rated current: 3A
- . Contact resistance: $\leq 0.03\Omega$
- . Insulation resistance: $\geq 1000M\Omega$
- . Withstanding voltage: 500V,AC 1 minute
- . Temperature range: $-25 \sim +85^{\circ}C$
- . Recommend PC board thickness:1.6mm

2. PRODUCT NUMBER CODE:

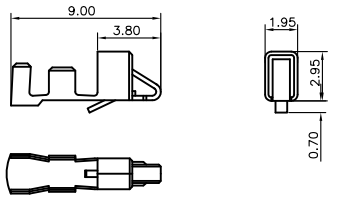
DS1068-02 - X X X X X

- Contact Plating
- 6: Tin
- 8: Full gold flash
- Housing Color
- W: White
- T: Transparent
- B: Black
- Mounting type
- C: Crimp
- Connector type
- F: Female
- M: Male
- No.of contact
- 2 to 12

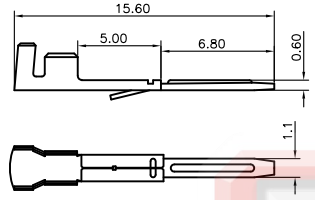
Female HOUSING

Position	DIMENSION		
	A	B	C
2	2.5	5.4	7.7
3	5.0	7.9	10.2
4	7.5	10.4	12.7
5	10.0	12.9	15.2
6	12.5	15.4	17.7
7	15.0	17.9	20.2
8	17.5	20.4	22.7
9	20.0	22.9	25.2
10	22.5	25.4	27.7
11	25.0	27.9	30.2
12	27.5	30.4	32.7

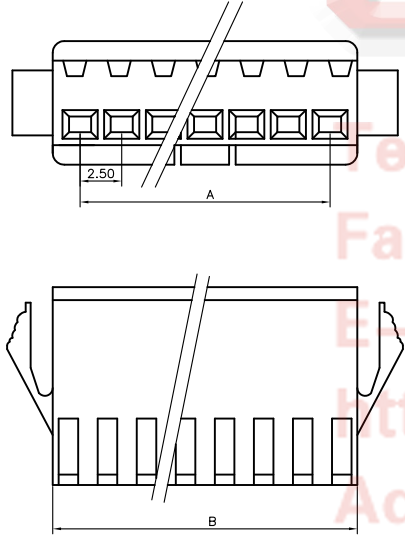
Female Terminal



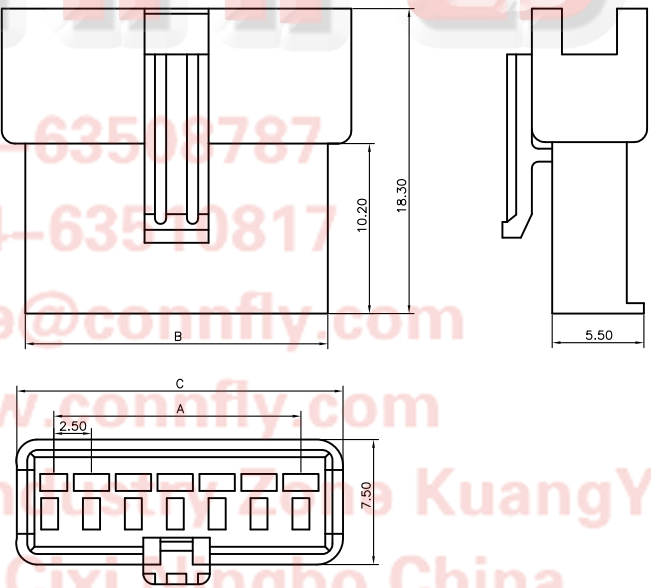
Male Terminal



Female Housing



Male Housing



GENERAL TOLERANCE		ANGLE TOLERANCE	
X.	± 0.60	X.	$\pm 5^{\circ}$
.X	± 0.38	.X	$\pm 3^{\circ}$
.XX	± 0.25	.XX	$\pm 2^{\circ}$

PROJECTION	TITLE
UNITS	P.C.B CONNECTOR 2.5mm SM TYPE
SHEET SIZE	SERIES DS1068-02 SERIES

DRAWING TYPE	CUSTOMER
SCALE	1:1 SHEET 1 OF 1
DRAWING NO.	C-DS1068-02-XXXXX

晨翔电子有限公司
CONNFLY CONNFLY ELECTRONIC CO. LTD

CONNFLY
 Tel:86-574-63500787
 Fax:86-574-63500817
 E-mail:sale@connfly.com
 http://www.connfly.com
 Add:East In... Zou... KuangYan
 Town Cixi Ningbo China
 P.C:315333