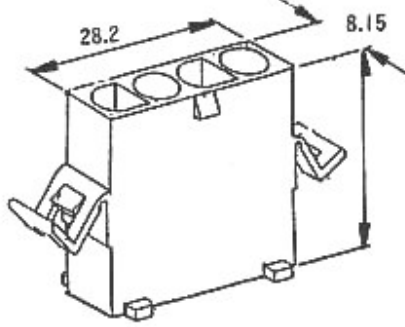
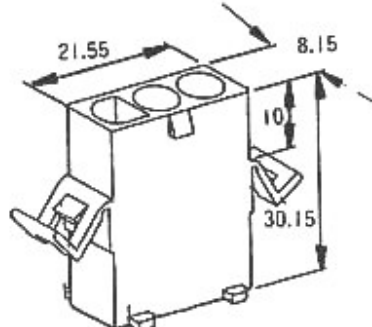
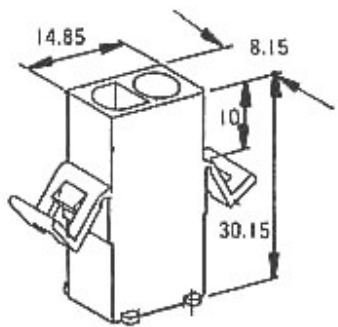
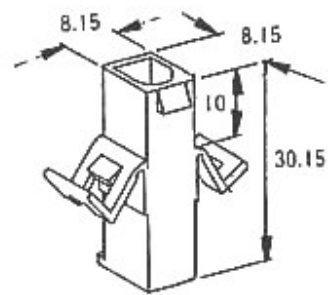


1 2 3 4 5 6 7 8

A



A

B

C

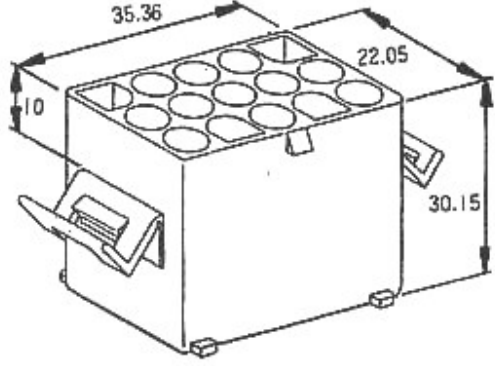
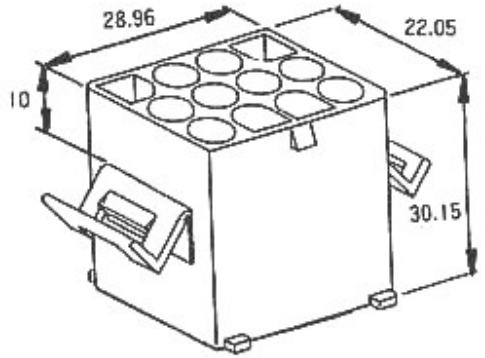
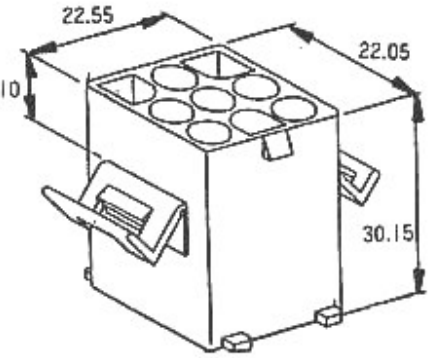
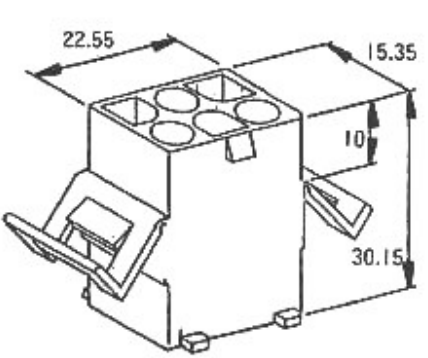
**SPECIFICATIONS**  
 Current Rating: 15A, AC, DC  
 Voltage Rating: 300V AC, DC  
 Temperature Range: -25° C~+105° C  
 Contact Resistance: 10m ohms MAX.  
 Withstanding Voltage: 1500V AC/Minute

B

C

D

E



D

E

F

G

**玄茂科技股份有限公司**  
**HSUAN MAO TECHNOLOGY CO., LTD.**

UNIT		SCALE	PART NAME	
MM		2:1	6.3mm 2.36 φ HOUSING (BEVEL EAR)	
APPD.	CKD.	TOLERANCE	PART NO.	REV.
		± 0.2	H2030-XXPBW00	A

制表日: 2002/07/18

DRAWING. APPROVED  
*Jane*

G

H

H

1 2 3 4 5 6 7 8