
AT Optronics Technology

Product Specification

PRAH 070.V0

7.0" Media Player Module

FOR APPROVAL

MODEL NO.:

PCB NO.:

Customer's Approval

Customer:	
Date:	
By:	

Confirmed By	Prepared By	Manufacture NO	
		Spec. Version	V0
		Total Pages	7
		Date	2010.05

1. Features

- Support Power-On Auto Play Function
- MPEG1/2/4 Decoding
- Optional AVI/3GP playback support
- Stereo Audio Output
- Support analog 7.0" TFT panel
- Support Keypad and Remote Control
- Support USB 2.0 OTG

2. Input Specification

2.1 Storage Media / Device

- 2.1.1 CF (CompactFlash) card
- 2.1.2 SD card
- 2.1.3 USB Drive

2.2 Playable Audio, Video and Picture Format

- 2.2.1 Audio File Format (*.mp3)
 - i. MP3
- 2.2.2 Video File Format (*.mpg, *.mpeg, *.avi)
 - ii. MPEG-1 Video
 - iii. MPEG-2 Video
 - iv. MPEG-4 Video (up to DIVX Compliant 5.0)
 - v. AVI video
- 2.2.3 Pictures File Format
 - vi. JPEG (*.jpg, *.jpeg)
 - vii. BMP (*.bmp)
 - viii. PNG (*.png)
 - ix. GIF (*.gif)
 - x. TIFF (*.tiff)

3. Output Specification

3.1 Stereo Audio Output

- 3.1.1 Line Out: RCA Jack
 - 3.1.2 Speaker Out: 1W
-

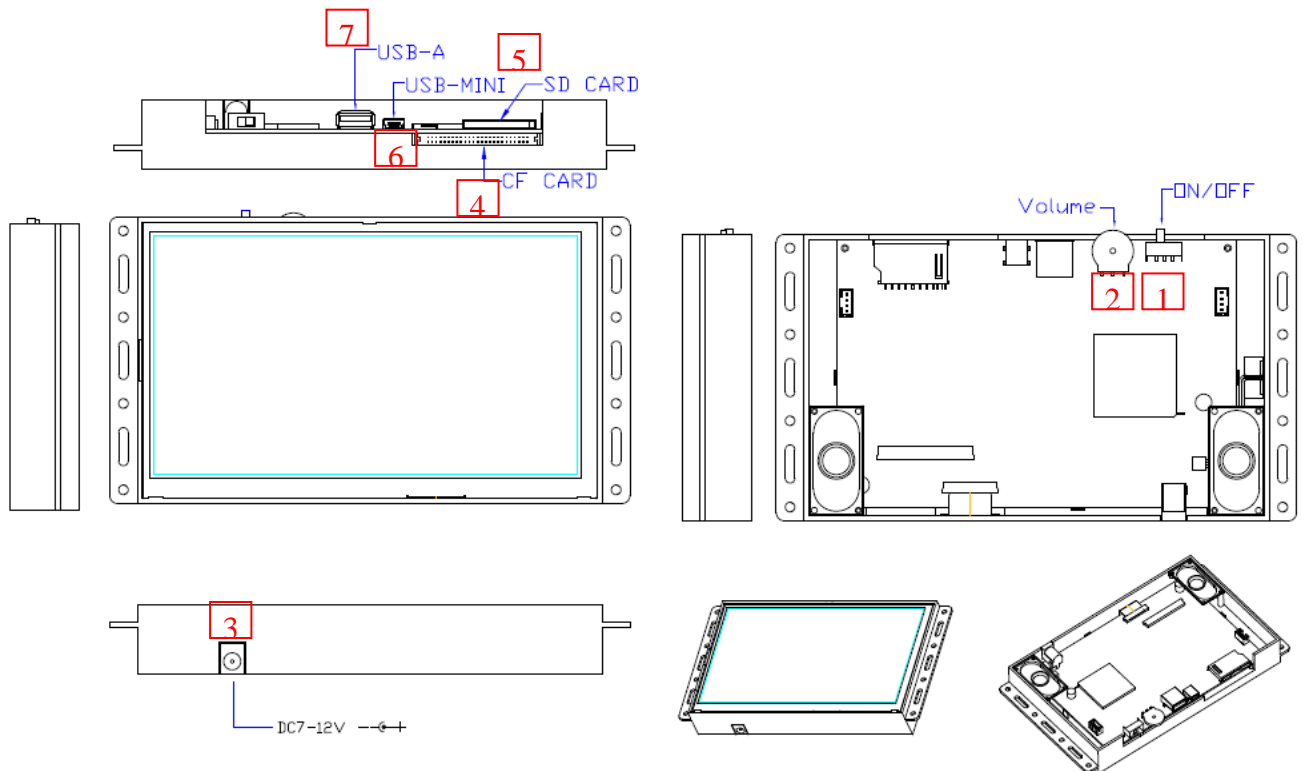
4. Jack and Control Specification

4.1 Controls

Ref	Control
1	On/Off Switch
2	Volume Control (Optional)

4.2 Jacks

Ref	Jack
3	Power Jack Input (12V)
4	CF Card Slot
5	SD Card Slot
6	USB OTG connecting to PC
7	USB Host



5. Operating Temperature

0°C ~ 70°C

6. Electrical Characteristics

Item	Symbol	Condition	Min	Typ	Max	Unit	Remark
Supply Voltage	Vcc	GND = 0	7	12	15	V	
Supply Current	Icc	Vcc = 12		<400		mA	

7. Mechanical Specification

7.1 Overall Dimension

Dimension	Specification	Unit
Length	188.9	mm
Width	104.0	mm
Thickness	25.0	mm

