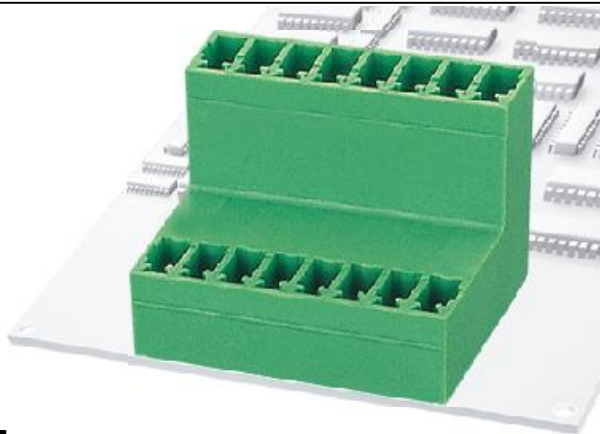


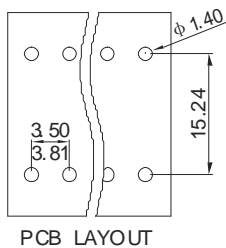
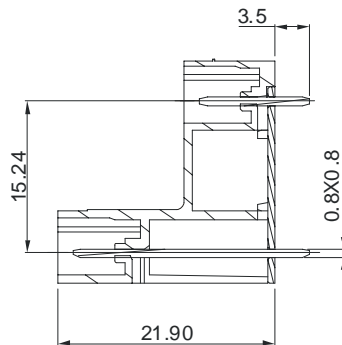
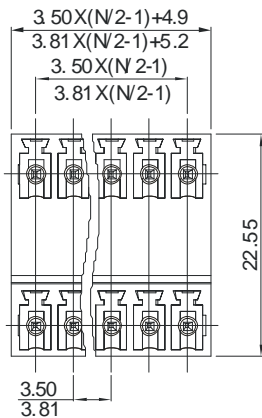


DEGSON ELECTRONICS CO., LTD.

Product Specification



15EDGVT-3.5
15EDGVT-3.81



APPROVAL		
Electrical		
Standard	UL	IEC
Rated voltage	300V	250V
Rated current	8A	7A
Withstanding voltage	AC2000V/1Min	
Mechanical		
Ambient temperature	-40°C ~ +105 °C	
Dimensions		
Pitch	3.5mm(.138") 3.81mm(.150")	
Poles	2*(2P-24P)	
Material		
Housing	PA66,UL94 V-0	
Pin heater	Brass,Tin-plated	

HOW TO ORDER :



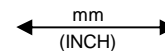
Series number

No. of pole

1	Single pitch
2	Double pitch

Color

1	Grey	4	Green	7	Trans Parent
2	Blue	5	Orange	8	Yellow
3	Black	6	Red	9	White



DEGSON ELECTRONICS CO., LTD.

NAME

15EDGVT-3.5, 15EDGVT-3.81