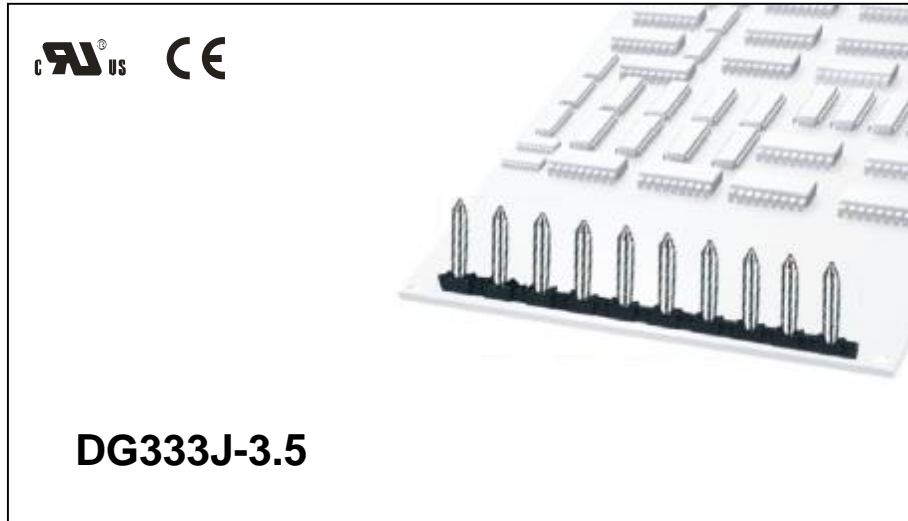


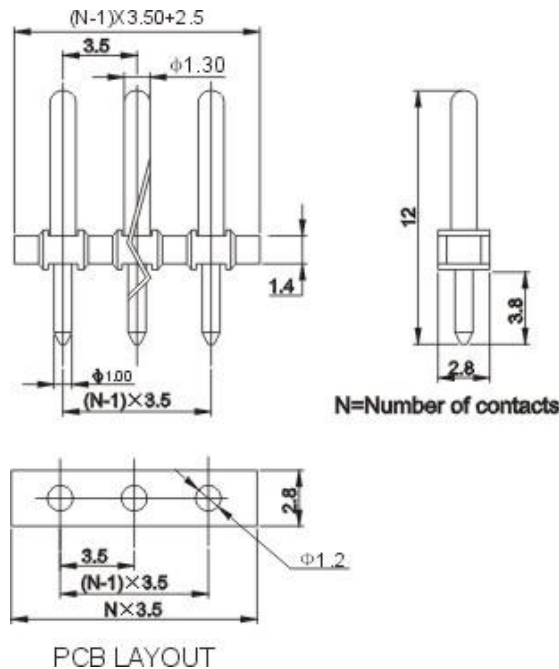


DEGSON ELECTRONICS CO., LTD.

Product Specification



APPROVAL		
Electrical		
Standard	UL	IEC
Rated voltage	300V	250V
Rated current	8A	8A
Withstanding voltage	AC2000V/1Min	
Ambient temperature	-30°C ~ +120 °C	
Dimensions		
Pitch	3.5mm (.138")	
Poles	2P, 3P-24P	
Mechanical		
Housing	PA66+25%GF, UL94V-0	
Pin header	Brass, Tin plated	



HOW TO ORDER :

DG333J-3.5 - **P** - -

X	X	X
Customer Request		

Series number | **No. of pole** | **Color**

1	Single pitch
2	Double pitch

1	Grey	4	Green	7	Trans Parent
2	Blue	5	Orange	8	Yellow
3	Black	6	Red	9	White

 mm (INCH)	 DEGSON ELECTRONICS CO., LTD.
 THROANGLE PROJECTION	NAME DG333J-3.5