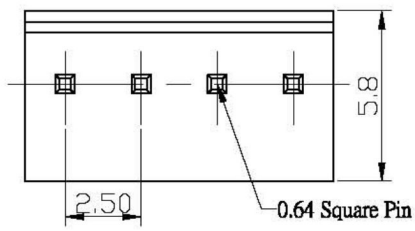


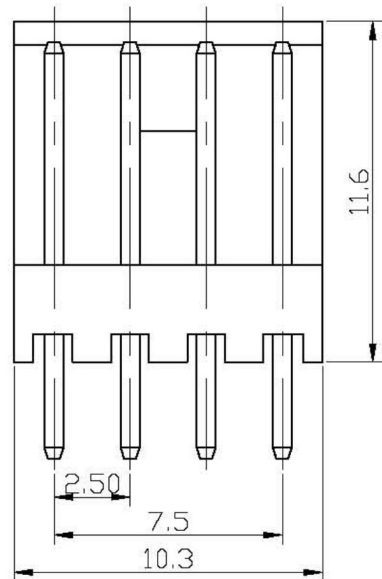
1 2 3 4 5 6 7 8

A



B

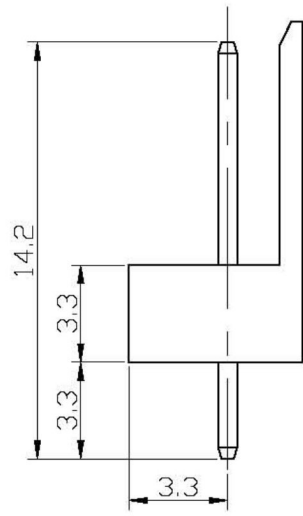
C



D

E

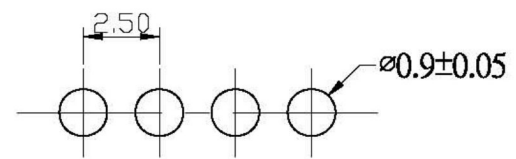
F



SPECIFICATIONS

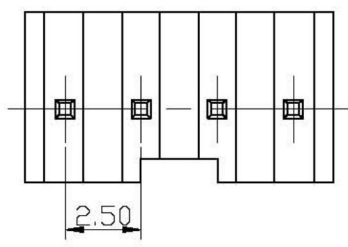
Electrical
 Current Rating: 3A AC, DC
 Voltage Rating: 250V AC/ max.
 Operating Temp.: -25°C ~ +85°C
 Insulation Resistance: 1000mΩ/ min.
 Withstand Voltage: 800V AC/ min.
 Contact Resistance: 20mΩ/ max.

Material
 1.Base Material: Nylon 66, UL94V-0
 2.Contact pin Material:BRASS
 3.Plating:100u"Min.Tin Plating over all



RECOMMENDED P.C.BOARD HOLE DIMM.

G



H

1 2 3 4 5 6 7 8

APPD. 核准 Hedy DWG. 製圖 Yumi DATE 制表日 2010/05/20		RoHS Compliant HSM 玄茂科技股份有限公司 HSUAN MAO TECHNOLOGY CO., LTD.		PART NAME 品名 2.5mm WAFER 4P STRAIGHT TYPE W/LOCKING RIB TIN PLATED WHITE INSULATOR ROHS LOW-LEAD	
SCALE 比例 參考 UNIT 單位 M M PAGE 張數 1 OF 1		TOLERANCE 容許公差 X.XX ± 0.2 X.X ± 0.3 ANG. ± SIZE 紙張尺寸 A 4 REV. 版次 A		PART NO. 料號 W2490-04PSTW00R	

A

B

C

D

E

F

G

H