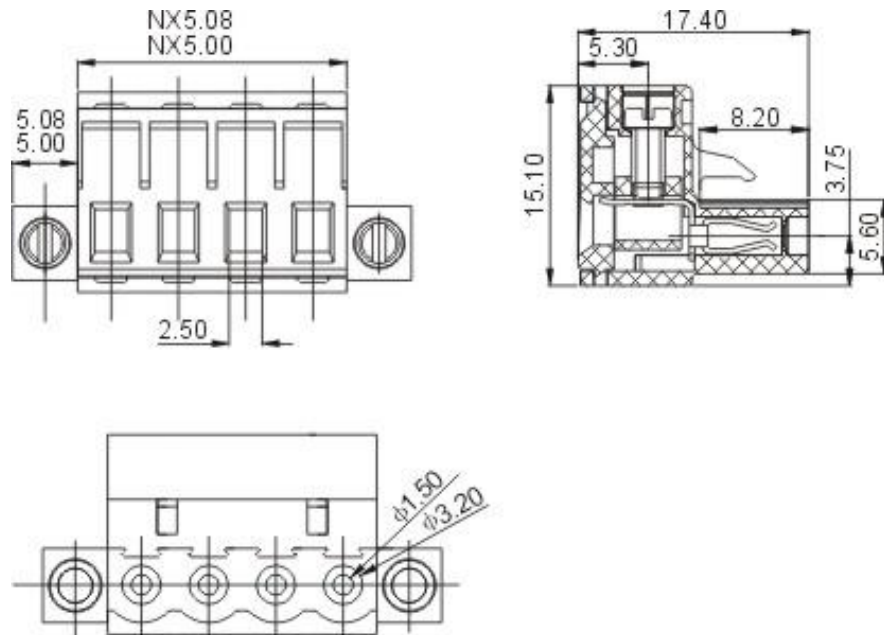






2EDGKM-5.0
2EDGKM-5.08



| | | |
|----------------------|---|---|
| APPROVAL |  |  |
| Electrical | | |
| Standard | UL | IEC |
| Rated voltage | 300V | 320V |
| Rated current | 15A | 20A |
| Wire range | 28-12AWG | 2.5mm ² |
| Withstanding voltage | AC2500V/1Min | |
| Mechanical | | |
| Torque | 0.4Nm(3.5Lb-In) | |
| Ambient temperature | -40°C~+105 °C | |
| Strip length | 7mm | |
| Dimensions | | |
| Pitch | 5.0mm(.197") 5.08mm(.200") | |
| Poles | 2P-22P | |
| Material | | |
| Housing | PA66,UL94 V-0 | |
| Screws | M2.5,Steel, Cr ³⁺ Zn-plated | |
| Contact | Phosphor bronze | |
| Cage | Brass,Ni-plated | |

HOW TO ORDER :

- **P** - -

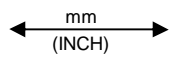


| | | |
|---|---|---|
| X | X | X |
|---|---|---|

Customer Request

Series number **No. of pole** **Color**

| | |
|---|--------------|
| 1 | Single pitch |
| 2 | Double pitch |

| | | | | | |
|---|-------|---|--------|---|--------------|
| 1 | Grey | 4 | Green | 7 | Trans Parent |
| 2 | Blue | 5 | Orange | 8 | Yellow |
| 3 | Black | 6 | Red | 9 | White |

| | |
|---|---|
|  |  DEGSON ELECTRONICS CO., LTD. |
|  | NAME 2EDGKM-5.0 2EDGKM-5.08 |