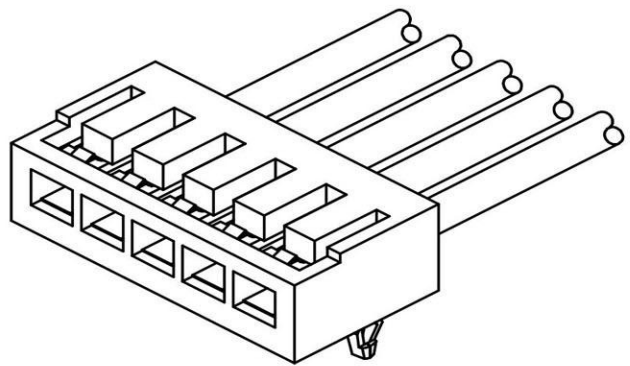
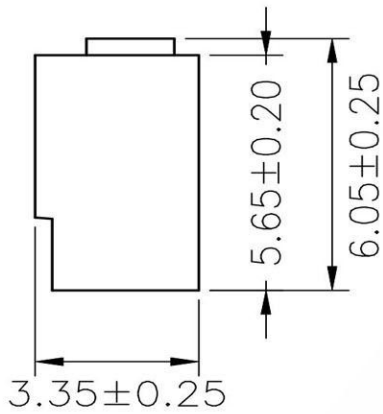
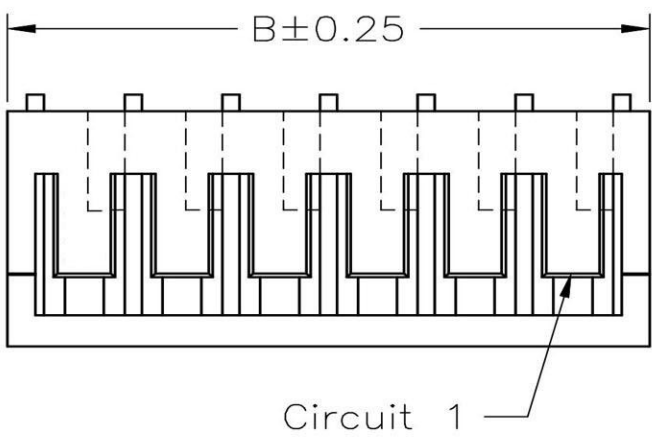
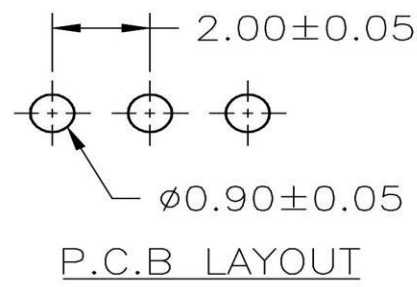
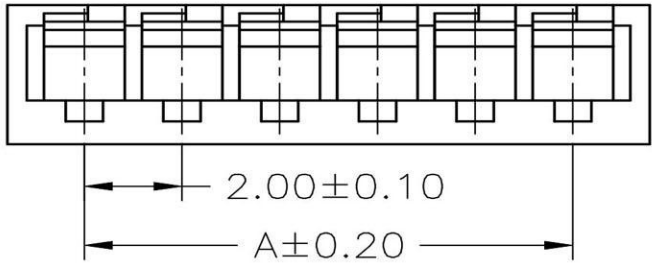


1 2 3 4 5 6 7 8

A
B
C
D
E
F
G
H

A
B
C
D
E
F
G
H



SPECIFICATIONS
 Current Rating: 2A AC,DC
 Voltage Rating: 250V AC,DC
 Temperature Range: -25°C ~ +85°C
 Contact Resistance: 20mΩ Max
 Insulation Resistance: 1000MΩ Min
 Withstanding Voltage: 800V AC/minute
 Material: Nylon 66,UL94V-0
 Color: Natural(White)

Ordering Information & Dimensions

PART NO.	Dimensions	
	A	B
02P	2.00	5.15
03P	4.00	7.15
04P	6.00	9.15
05P	8.00	11.15
06P	10.00	13.15
07P	12.00	15.15
08P	14.00	17.15
09P	16.00	19.15
10P	18.00	21.15
11P	20.00	23.15
12P	22.00	25.15
13P	24.00	27.15
14P	26.00	29.15
15P	28.00	31.15
16P	30.00	33.15

RoHS Compliant		HSM 玄茂科技股份有限公司 HSUAN MAO TECHNOLOGY CO., LTD.	
APPD. 核准 DWG. 製圖 DATE 制表日 2012/8/30	Helen	TOLERANCE 零件公差 0 ± 0.25 .00 ± 0.15 ANG. ±	PART NAME 品名 2.0mm HOUSING 1X??P WHITE COLOR ROHS
SCALE 比例 UNIT 單位 M M	SIZE 線張尺寸 A 4	PART NO. 料號 H2007-XXPW0000R	PAGE 張數 1 OF 1

1 2 3 4 5 6 7 8