



Feature -


- LED illumination
- Two color available

Applications -

- Computer Product
- Office appliance
- Communication Equipments

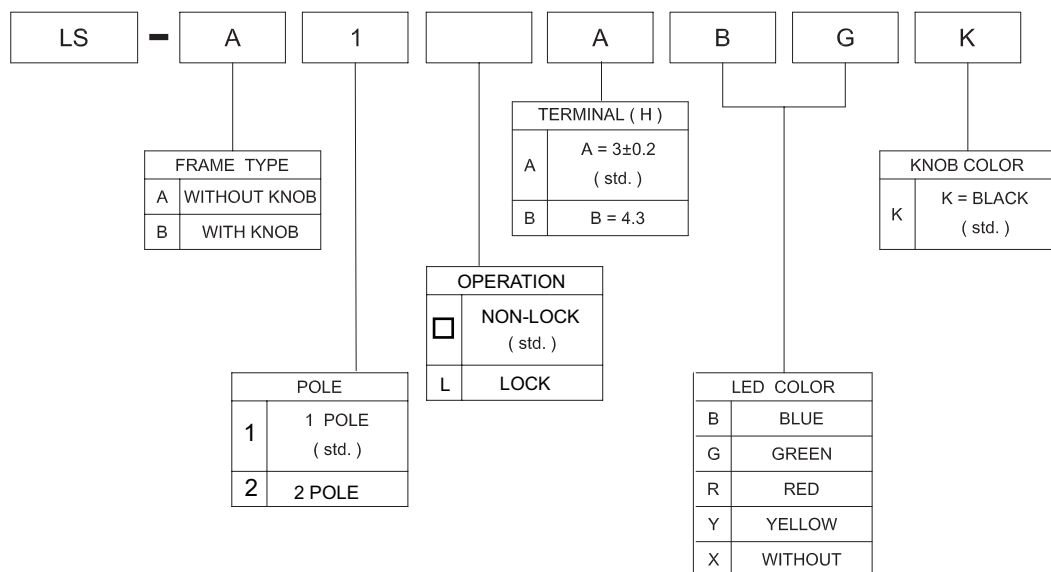
► SPECIFICATIONS


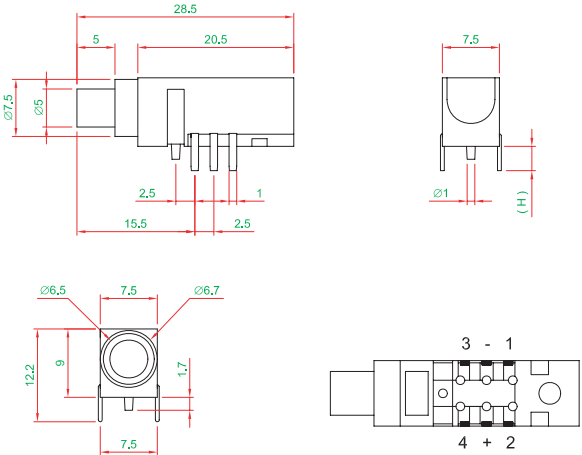
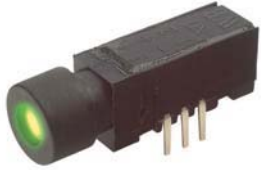
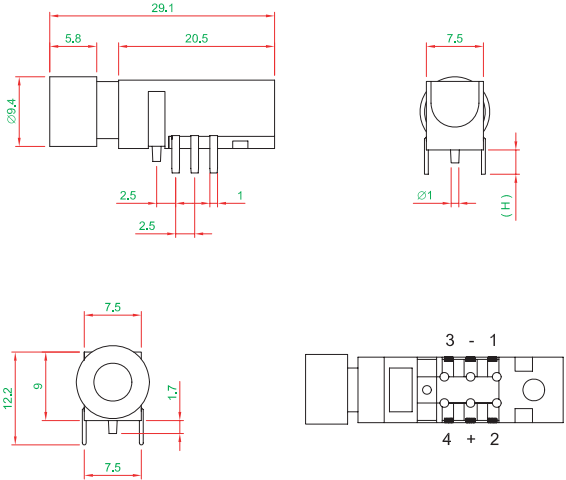
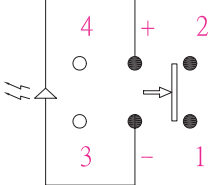
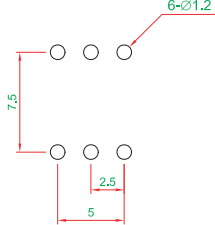
SWITCH SPECIFICATIONS	
POLE - POSITION	Momentary Type , LOCK Type with LED
CONTACT RATING	36 V DC , 0.2 A
CONTACT RESISTANCE	40 mΩ max . 1.5 V DC ; 100 mA , by Method of Voltage DROP
INSULATION RESISTANCE	100 MΩ min . 500 V DC
DIELECTRIC STRENGTH	Breakdown is not Allowable ; 500 V AC for 1 Minute
OPERATING FORCE	200 ± 100 gf
OPERATING LIFE	10,000 cycles
OPERATING TEMPERATURE RANGE	-20°C ~ 70°C
TOTAL TRAVEL	FULL TRAVEL - 2.2 ± 0.3 mm CONTACT TRAVEL - 1.6 ± 0.3 mm

LED SPECIFICATIONS						
ATTENTION  LEDs are Electrostatic Sensitive devices	Unit	Value / LED Color				
		Blue	Green	Red	Yellow	
FORWARD CURRENT	If	mA	30	30	40	30
REVERSE VOLTAGE	Vr	V	5.0	5.0	5.0	5.0
REVERSE CURRENT	Ir	μA	50	10	10	10
FORWARD VOLTAGE@20mA	Vf	V	3.5-4.0	1.7-2.8	1.5-2.4	1.7-2.8
LUMINOUS INTENSITY@20mA	Iv	mcd	350-700	60-100	75-120	45-75

■ Physical and electrical information of LED will be provided upon customer's request on switches .

► HOW TO ORDER



▶ DIMENSION	
<p>LS - A1A □ □</p> 	
<p>LS - B1A □ □ K</p> 	
▶ SCHEMATIC	▶ P.C.B LAYOUT
	
▶ MATERIAL	▶ UNIT WEIGHT
<ul style="list-style-type: none"> ■ COVER - PA + GF ■ ACTUATOR - PA + GF ■ BASE FRAME - PA + GF ■ TERMINAL - SILVER PLATING , GOLD PLATED 	<ul style="list-style-type: none"> ■ LS - A1A □ □ : 1.7 ± 0.05 g / pcs ■ LS - B1A □ □ K : 2.0 ± 0.05 g / pcs