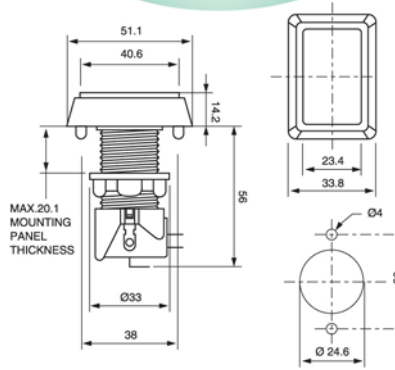


# ILLUMINATED PUSH BUTTON S9604 (RECTANGLE) SPECIFICATION

MODEL NO. S960-4



STANDARD  
Parts of  
Push Button



SPECIFY:  
Shape/Color  
Shape/Color/Printing

Black (standard)  
Chrome Plated Optional

S960-P006

Type/Voltage  
#161=14V (Standard)  
OR LED BULB TO INSTEAD

S960-P008

250 Terminal (Standard)  
187 Terminal  
110 Terminal

**RoHS**  
Compliant

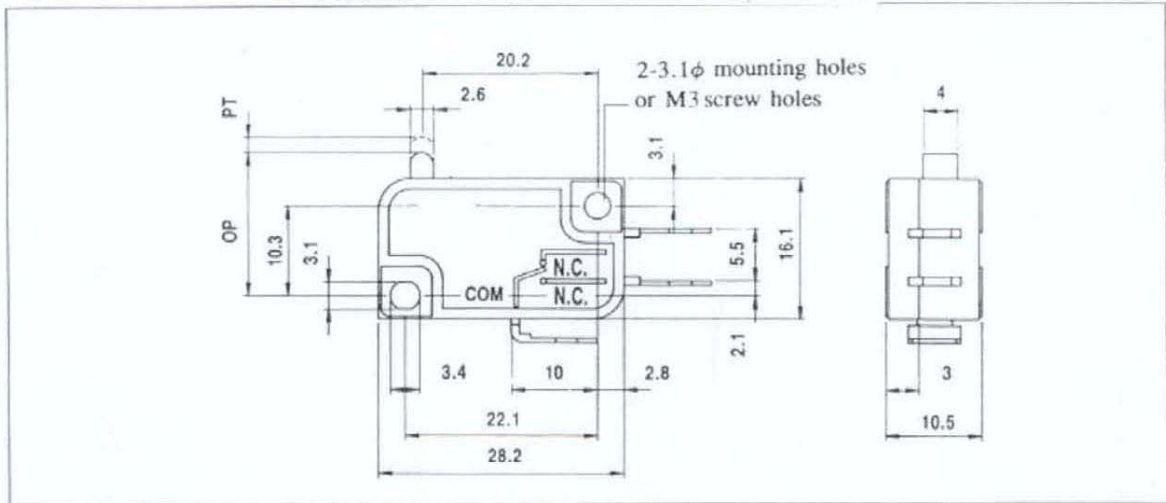


PATENTED IN TAIWAN

<b>Specification</b>	
Degree of protection	IP40
UV Resistance	Button material UVresistance 94
Max. current/ voltage rating with resistive load	5A 125VAC
Electrical Life Expectancy	200,000 cycles
Mechanical Life Expectancy	10,000,000 cycles
Operating Temperature	-30°C to +50°C
Initial contact resistance	30mΩ
Insulation resistance	100mΩ min. at 500VDC
Operating Force	30 to 400gf
Total Travel	1.5mm
Push Button Type	Momentary

<b>Material</b>	
Bezel	ABS 77
Lens Cap	PC
Legend	ABS
Plunger	POM
Lamp Holder	PC
Spring	SWP
Switch Case	PBT Resin ( UL94-V0 )
Contact	Silver plated brass

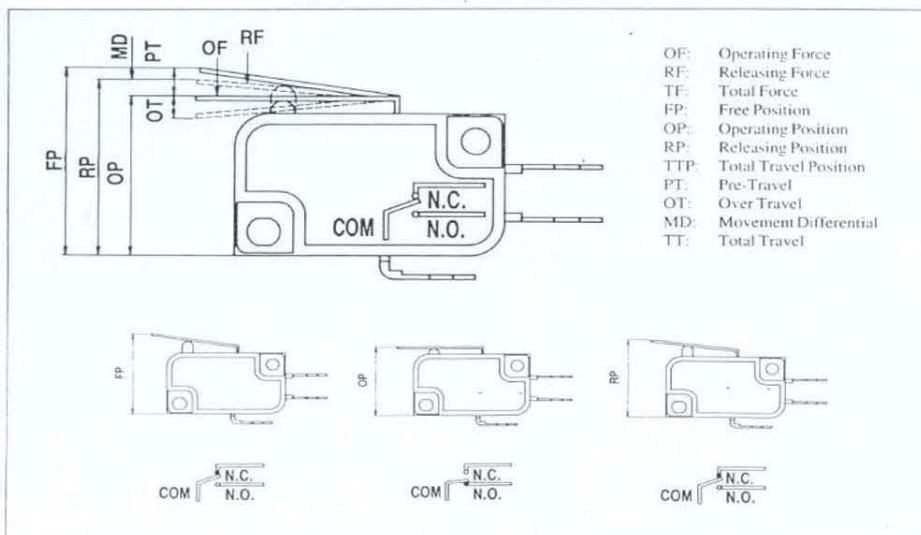
## DIMENSION (OUTLINE DRAWING)



## CHARACTERISTICS

- Operating speed ..... 0.1mm/sec to 1m/sec
- Insulation Resistance ..... 100MΩ min. (at 500VDC)
- Contact Resistance ..... 15mΩ (initial)
- Ambient Temperature ..... -25°C to +80°C
- Ambient Humidity ..... Under 80% RH max.
- Service Life
  - Mechanical ..... Over 5,000,000 Times
  - Electrical (at rate load) ..... Over 200,000 Times
- Operating Frequency ..... Less Than 600 operations/min

## GENERAL INFORMATION



	Terminal Symbol	CODE	Contact Form
	COM. Common Terminal	0 Single Pole Double Throw (SPDT)	
	N.O. Normally Open Terminal	1 Single Pole Single Throw Normally Open (SPST-NO)	
	N.C. Normally Closed Terminal	2 Single Pole Single Throw Normally Closed (SPST-NC)	

Specifications : WEDGE-T10-12V1.2W

Design voltage: 12VDC

Design current : 100mA  $\pm$  10%

Tungsten filament shape: C-2V

Brightness M.S.C.P : 0.48 CP  $\pm$  25%

Average Life Time : 1000 H

Base print : 12V1.2W

Icon :

